

TOLL PROCESSING

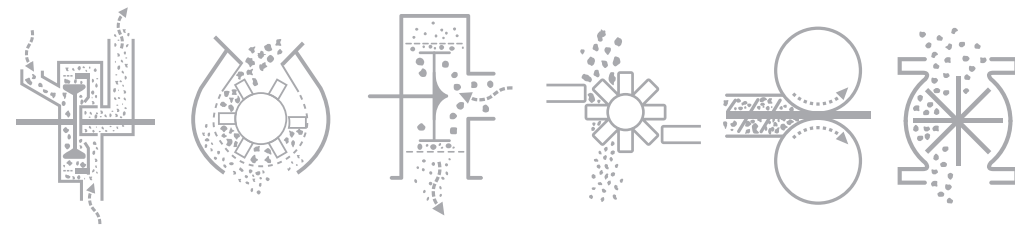
WHAT IS TOLL PROCESSING?

Toll processing is a service offered by Prater Industries for companies that have a need for either product market testing, emergency production or product development but do not want to make the financial commitment for equipment and labor.



- Malvern, computerized, laser-beam particle size analyzers evaluate critical properties of the materials to be processed
- Testing is supported by measurement of raw material and processed goods using latest methods available
- Customer's actual processes are faithfully reproduced to identify exact operating characteristics
- New equipment is designed to deliver what the customer's processes demand

Prater offers fine Grinding, Classifying, Sifting, Hammer Milling, Compaction, Granulation, Private Label & Repackaging. Our toll processing laboratory has extensive processing product experience with sugar, soybeans, wheat, corn, herbs, malitol, dextrose, oats and brans to name a few.



PRATER[®]
AIRLOCKS • MILLS • SEPARATORS

2 Sammons Court, Bolingbrook, IL 60440
877-AIRLOCK • praterindustries.com

FROM CUSTOM SOLUTIONS TO SUPERIOR SUPPORT

Prater has been trusted by thousands of companies within a variety of industries that are looking to find efficient, cost-effective, and innovative methods to develop their process further. It's no surprise that the paint and coatings industry relies on us to sift their pigments and resins, just as the baking industry entrusts us to provide them with automated batching systems for their fresh baked, frozen and dry mix product. These companies include us in expanding their systems with equipment that allows them to process their material to the exact specifications without compromising their high standard of quality in the final product. Prater guarantees the systems and components it produces will deliver results that will surpass customer expectations from one industry to another.

WHAT CUSTOMERS ARE SAYING...

"Your organization has been a valuable provider to our business, and we appreciate the support you have given us. We look forward to continuing our relationship."

MEADWESTVACO CORPORATION

"We are 100% satisfied with Prater's responsiveness to our needs, exceptional delivery time, and overall customer service."

MISSION FOODS®

"That was the fastest response I ever had, wow! I wish every company we deal with was that fast!"

POTASHCORP

"Prater's Customer Service was instrumental in getting us replacement parts."

PITTSBURGH CORNING CORPORATION™

"We appreciate very much the extremely quick response with regards to this project of Sara Lee's. You guys huddled quickly, had your team in place to run some product on short notice, even issued a quotation in unbelievable record time."

SARA LEE®

"All of the analyses looked excellent. Thank you and thanks to your people for this effort."

ICL PERFORMANCE PRODUCTS LP™

"We are very pleased with the time and effort that you all put in on answering our questions and concerns regarding this situation as well as working with us to formulate a solution that would correct the issues. Please accept our sincere thanks for all of your work on this."

ABEL MANUFACTURING

"Your service was great!"

ROYAL MOULDINGS™

"Your Batching System is GREAT! We had a quick and easy learning curve and the operators love them! Thank you for your diligence on all our requests, including the sometimes seemingly foolish requests. We are 100% satisfied and look forward to another project."

PAN-O-GOLD BAKING COMPANY

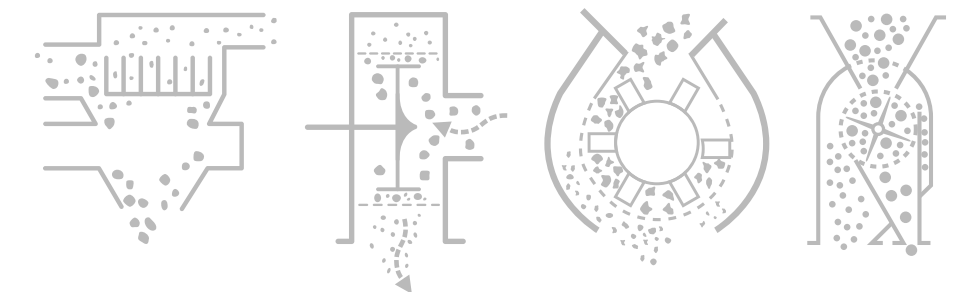
"As Quality Control, I love your sifters design and ease of cleaning."

WICKS PIES®

PRATER[®]
AIRLOCKS • MILLS • SEPARATORS

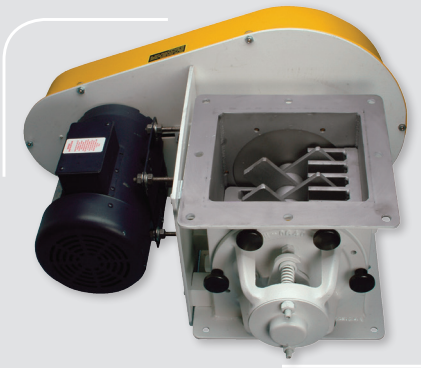
2 Sammons Court, Bolingbrook, IL 60440
877-AIRLOCK • praterindustries.com

PRATER[®]
AIRLOCKS • MILLS • SEPARATORS



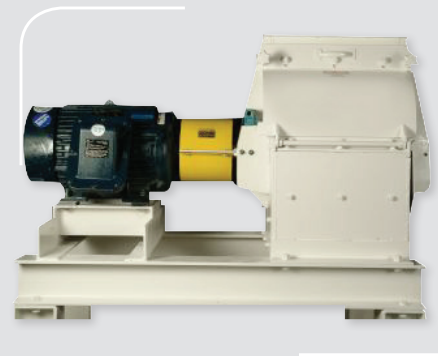
Perfectly Matched Performance

PARTICLE SIZE REDUCTION



LUMP BREAKERS

- Reduces pieces or lumps from 6" to 1/16"
- Heavy-duty single-shaft rotor, V-belt driven
- Easily replaceable rotating & fixed blades
- Drilled for air purge seals
- Optional sanitary design



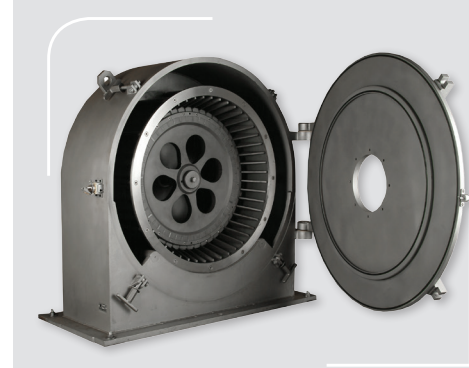
FULL SCREEN HAMMERMILLS

- Reduces particles to as small as 30-40 mesh (420 microns)
- Unique design utilizes 100% of the useable screen area
- Uniform granular grind
- Balanced, reversible rotors
- Easy and fast screen changes
- Stainless steel construction available



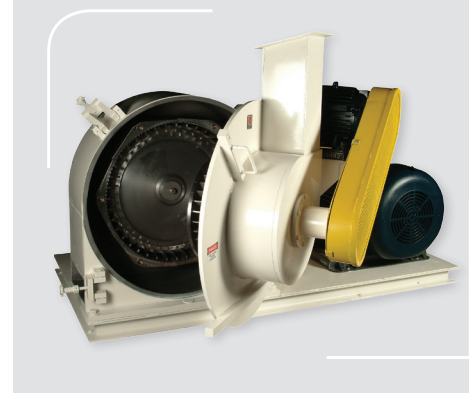
MEGA MILLS

- Reduces particles to as small as 60 mesh (250 microns)
- Dynamic rotor symmetry assures superior balance & uniform hammer wear
- Single latch door for easy maintenance/cleaning
- O-ring door seals for dusttight operation
- Easily removable, lighter rotor



FINE GRINDERS

- Final product size 60-550 mesh (25-250 microns)
- External bearing assembly
- Dynamically balanced reversible rotor assembly
- Tight clearances between rotor & fixed grinding elements
- Dual o-ring door seal with floating door hinge for a positive seal

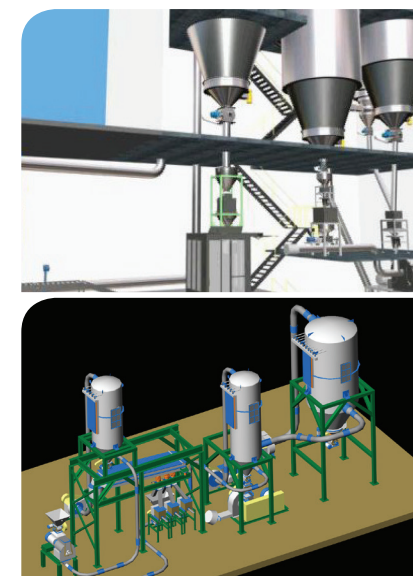


AIR CLASSIFYING MILLS

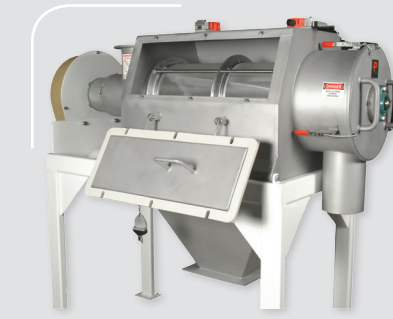
- Final product size 100-2500 mesh (5-150 microns)
- Two-stage closed circuit grinding
- Inter stage air classification
- Large access door for quick inspection/cleaning
- Standard door interlock
- Recirculating Mill

SYSTEM DESIGN, INTEGRATION

- Offers a complete system approach that compliments our product lines
- Begins with an in-depth analysis of the process requirements and existing plant operations
- Develops a turn-key package designed to optimize performance
- Maintains single point of contact from initial consultation through installation and commissioning

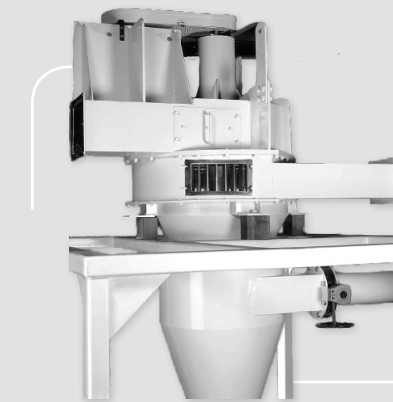


SIZING & SEPARATION



ROTARY SIFTER

- Scalps product from 1/4" - 325 mesh (42 microns)
- Ultra high throughput per square foot of cloth area
- Three-bearing shaft support, drilled for air purge
- Fully adjustable multi-paddle rotor design
- Easily inspected screen frame assembly



AIR CLASSIFIERS

- Separates dry free flowing product from 150 - 1 micron
- Allows for very narrow particle distribution
- Control of mean particle size & cut point
- Pre-classification with cyclonic air-stream
- Adjustable secondary air system for precise cuts

FEEDING & METERING



ROTARY AIRLOCK FEEDERS

- Ultra-tight clearances (for less leakage)
- Self-adjusting packing glands
- Larger pocket capacities for slower rpm and longer life
- Oversized flanges for retrofit applications
- Options including "Quick-Take-Apart" and ceramic lining for abrasive applications



NFPA-69

SANITARY

V-PLOW

PSR11

CSA